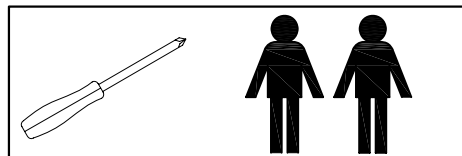
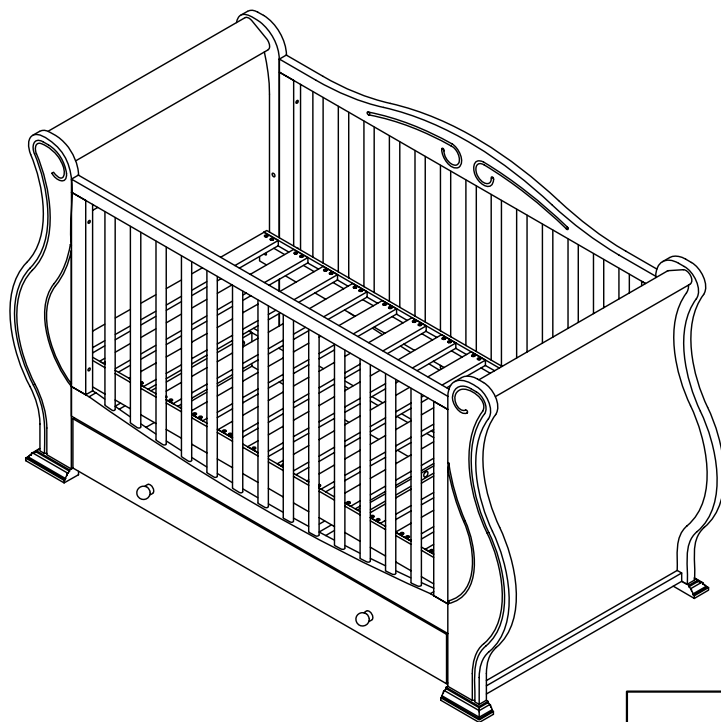




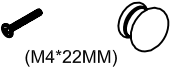


# TUTTI BAMBINI

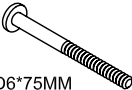





## LOUIS COT BED Assembly Instruction

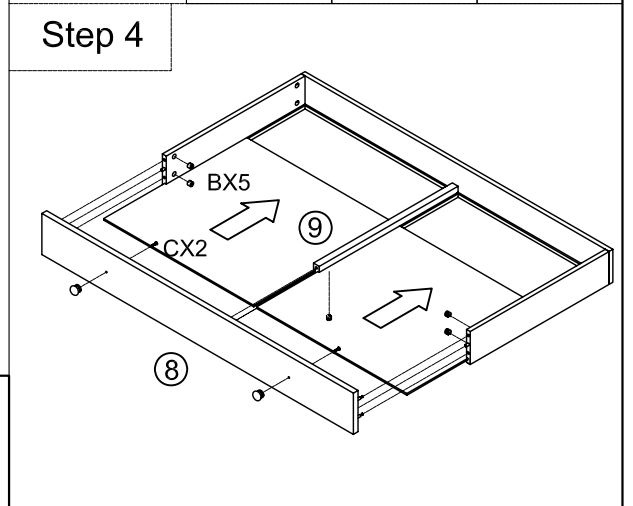
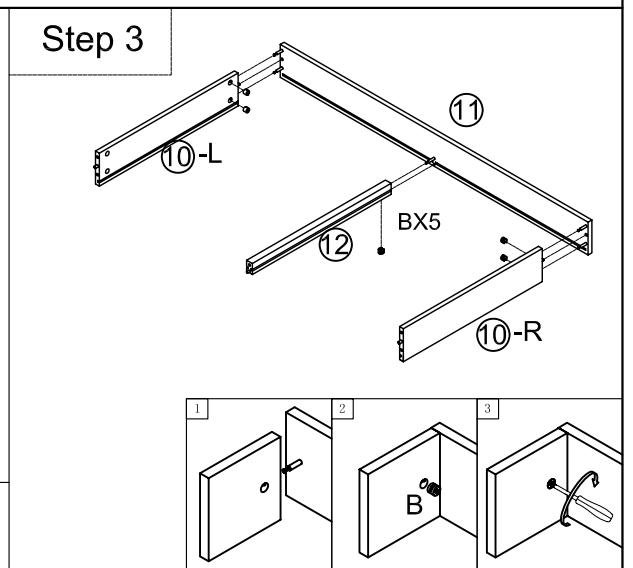
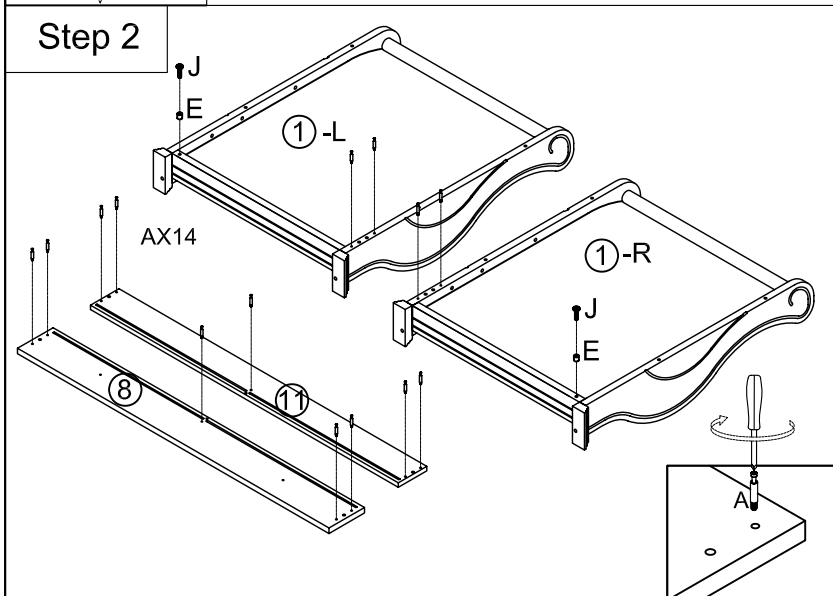
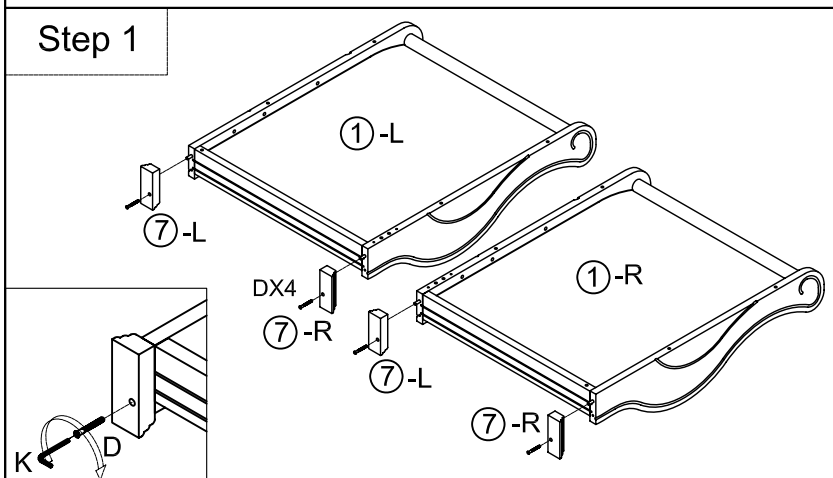
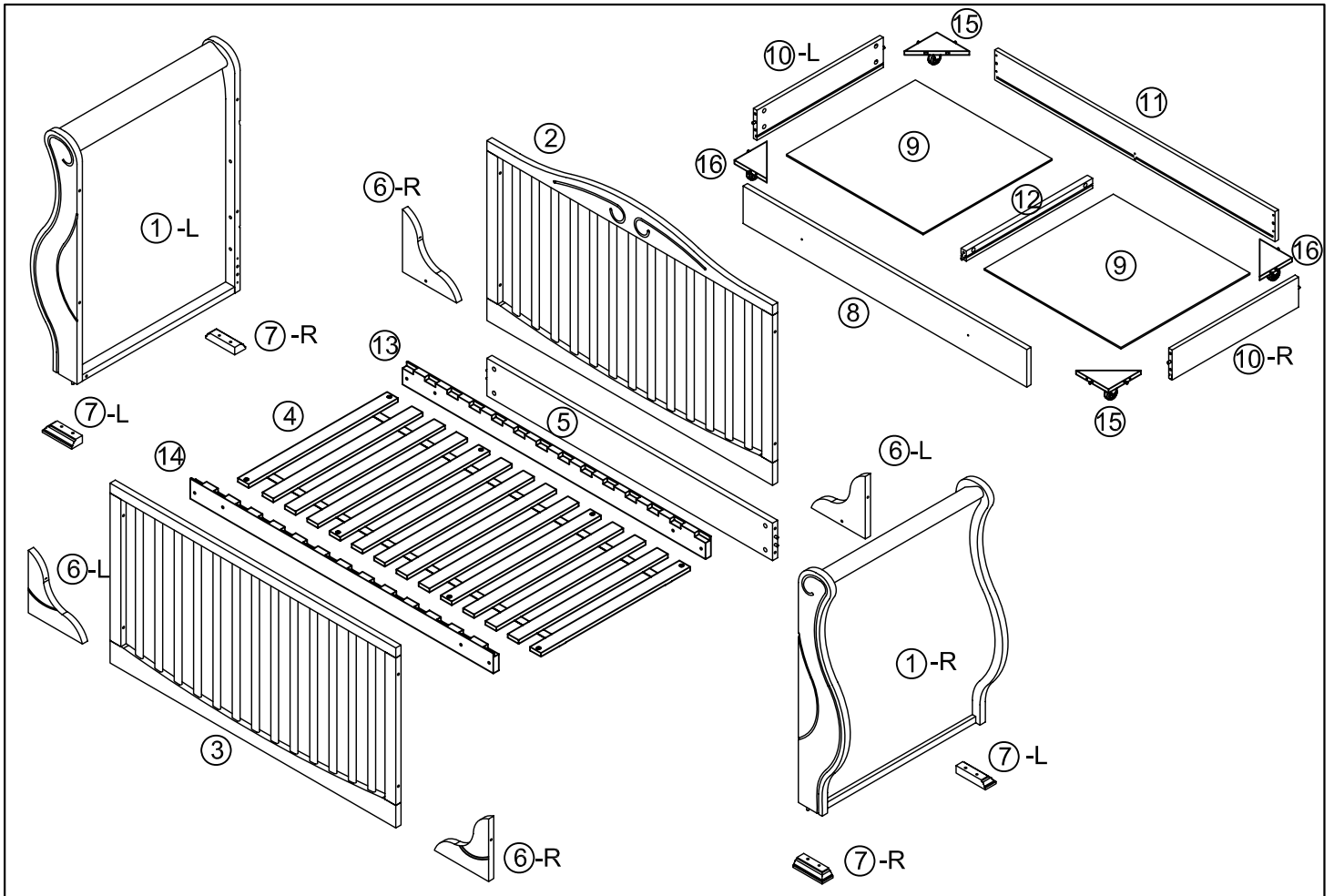
Code: 211070



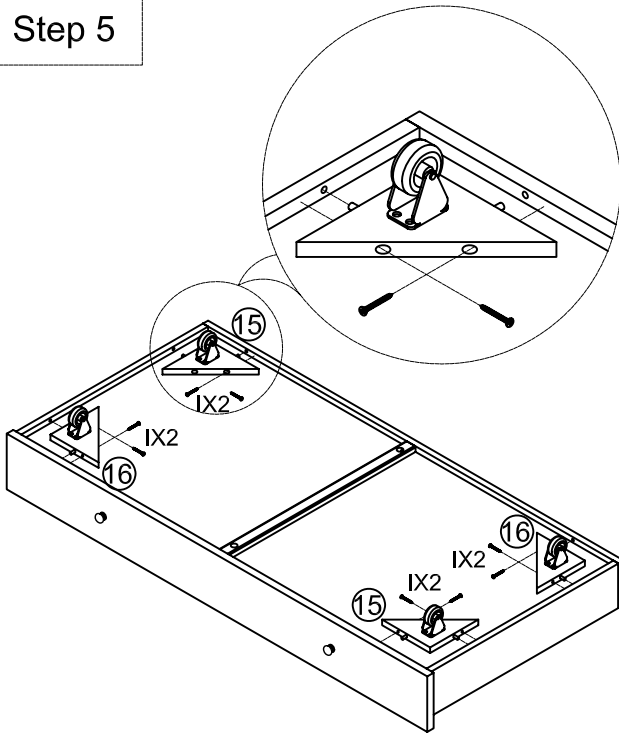
### Hardware list

ID # <b>A</b>		Qty 14 pc
ID # <b>B</b>		Qty 14 pc
ID # <b>C</b>	 (M4*22MM)	Qty 2 pc
ID # <b>D</b>	 M6*40MM	Qty 4 pc
ID # <b>E</b>	 Drawer stopper	Qty 2 pc

ID # <b>F</b>	 D6*75MM	Qty 8 pc
ID # <b>G</b>	 D6*40MM	Qty 8 pc
ID # <b>H</b>	 D6*25MM	Qty 8 pc
ID # <b>I</b>	 M3.5*30MM	Qty 8 pc
ID # <b>J</b>	 M6*25MM	Qty 2 pc
ID # <b>K</b>		Qty 1 pc



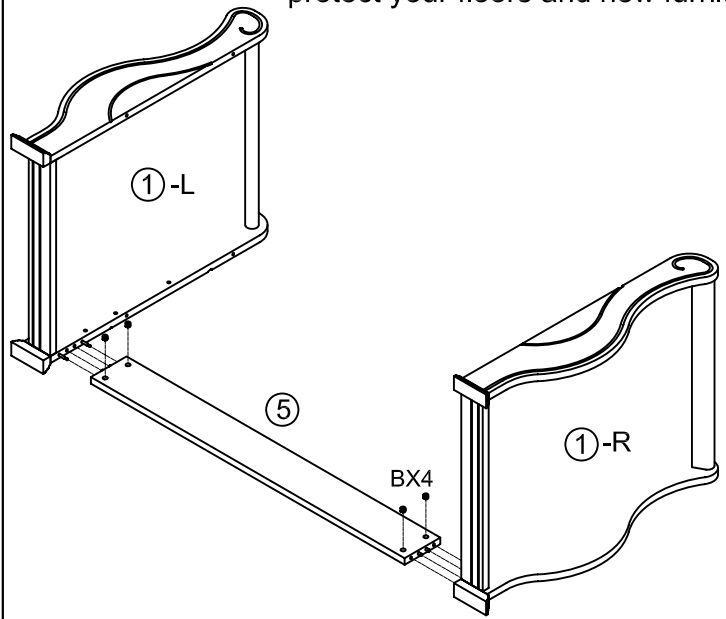
Step 5



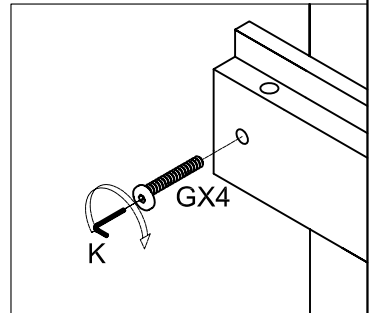
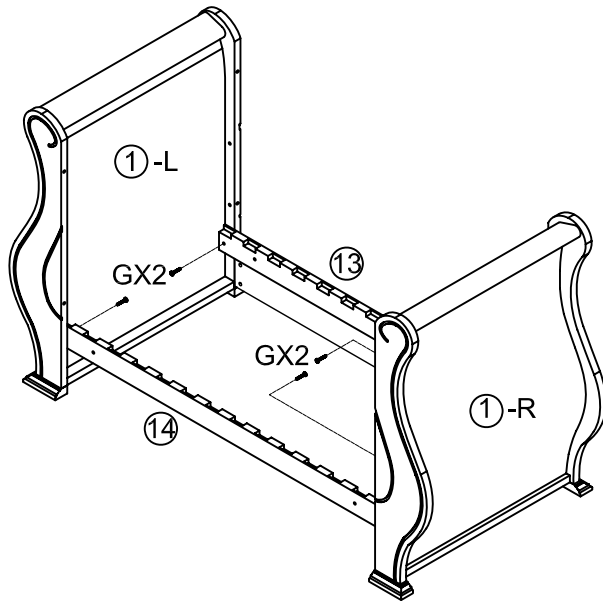
Step 6

Warning:

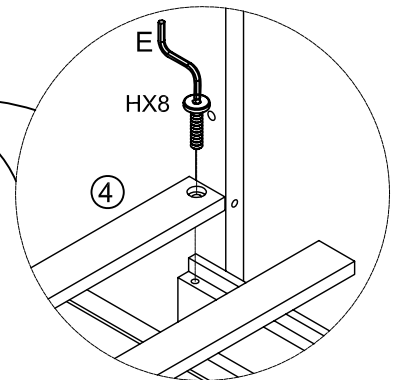
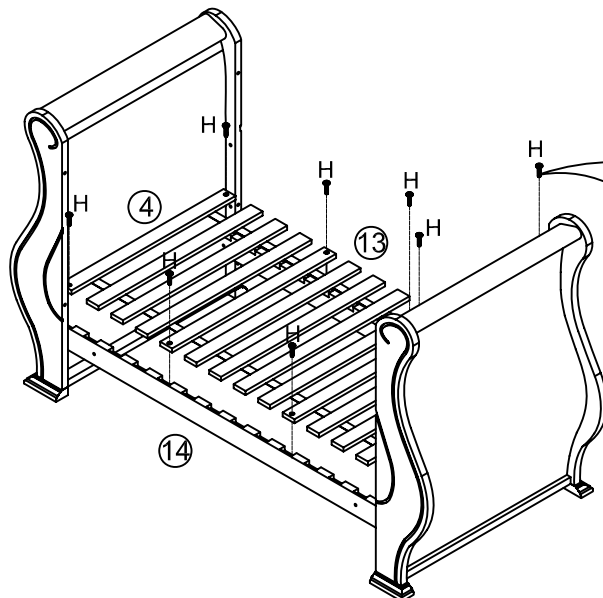
Set out polystyrene sheets for assembly on hard surface floors, to protect your floors and new furniture.



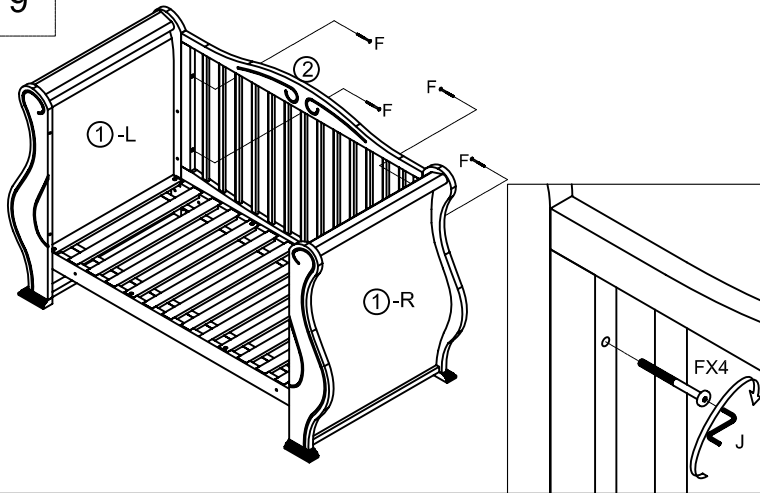
Step 7



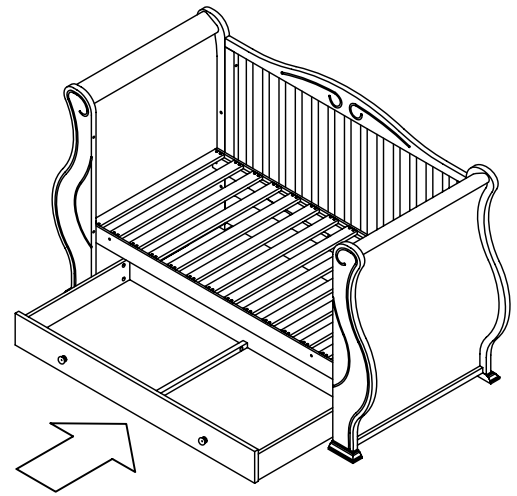
Step 8



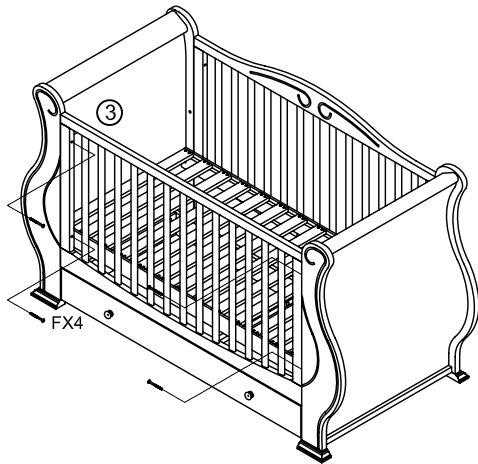
Step 9



Step 10

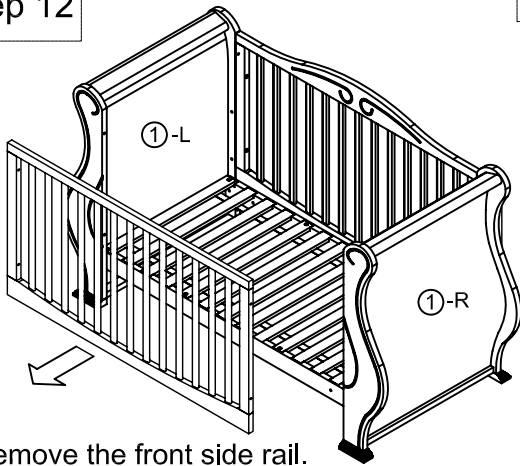


Step 11

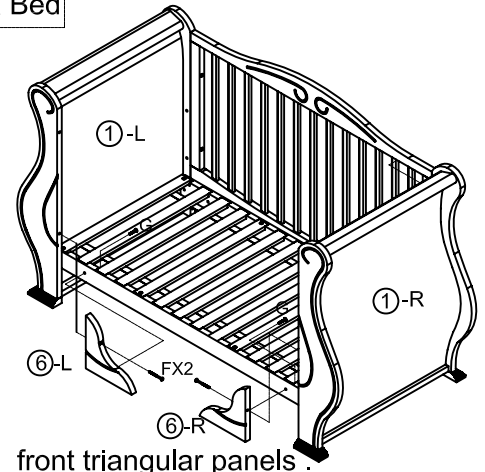


Step 12

To Convert To Day/Sofa Bed



1). Remove the front side rail.



2). Fix the front triangular panels .

Step 13

To Convert To Junior Bed

